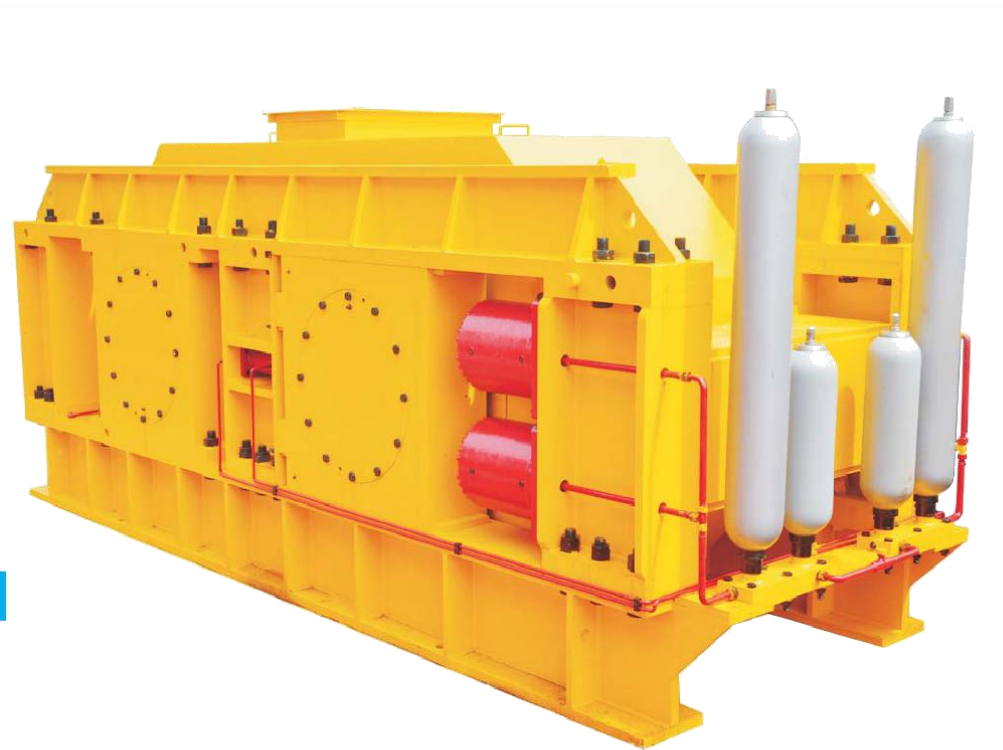
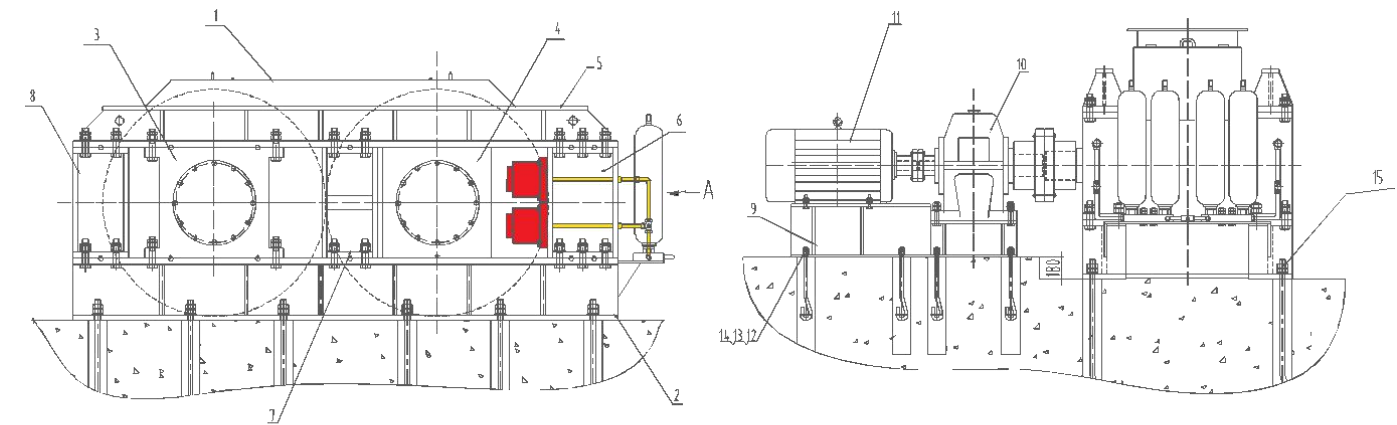
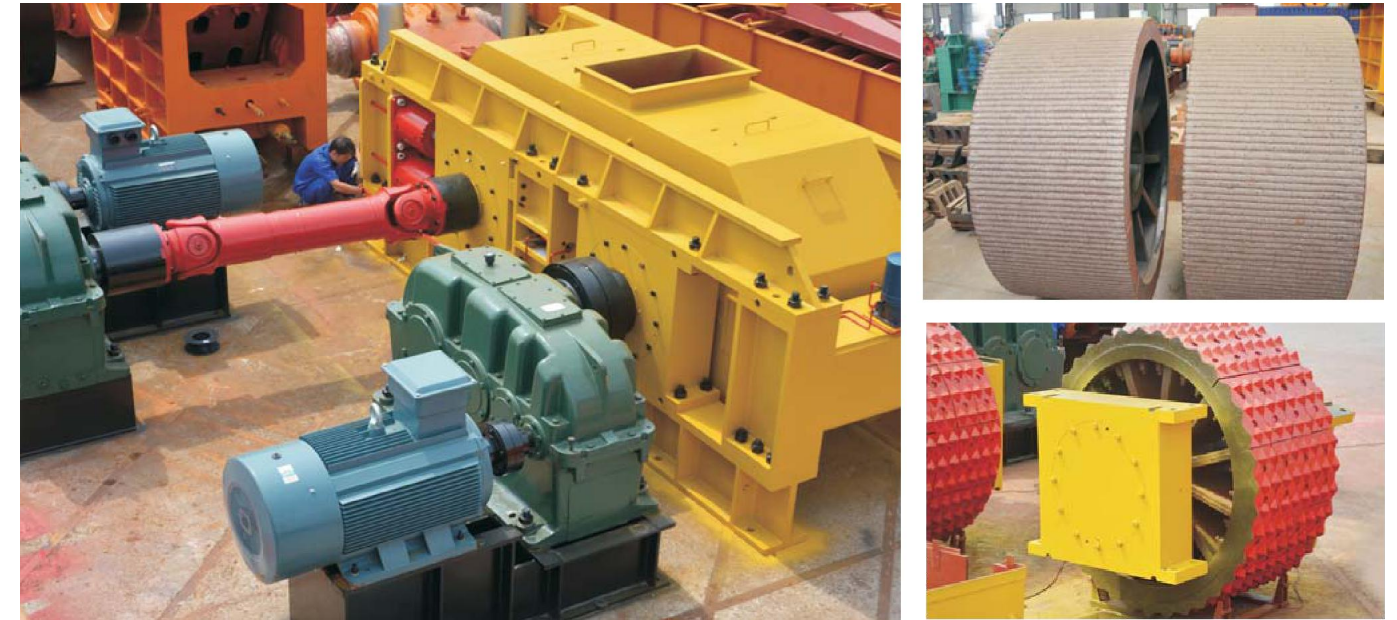


水泥 Cement
 冶金 Metallurgy
 电力 Electric power
 化工 Chemical
 建材 Construction
 人工制砂 Artificial sand



先进的设计 Advanced design
 工作可靠 Reliable performance
 维修简单 Easy maintenance
 运行成本低廉 Low cost
 排料粒度大小可调节 Adjustable discharge size

		Capacity		Final size	Gear reducer		(t)
H Φ 1000x700	Φ 1000	~40	<30	<3,约占70%	ZLY224-20-IX2	Y3-4002-6 400kWx2	14800
H Φ 1200x700	Φ 1200	~70	<40	<5,约占65%	ZLY280-20-I ZLY280-20-IV	Y355M2-8 160kWx2	24500
H Φ 1500x800	Φ 1500	~150	<50	<5,约占70%	ZLY355-20-I ZLY355-20-IV	Y315L2-8 110kWx2	35000
H Φ 2000x1000	Φ 2000	~350	<70	<5,约占72%	ZSY560-31.5-I ZSY560-31.5-IV	Y280M-6 55kWx2	90000



1-上盖 Up Cover
 2-机座 Foundation
 3-固定破碎辊 Fixed crushing roller
 4-活动破碎辊 Movable Crushing Roller
 5-上盖 Up Cover
 6 7-液压缸 Hydraulic Cylinder

8-机架 Frame
 9-电机座 Motor Seat
 10-减速机 Gearbox
 11-电机 Motor
 12 13 14-电机地脚螺栓 Motor Mounting Bolt
 15 16 17-主机预埋螺栓 Main Body Embedded Bolt